

3form™ Attachment Installation Manual



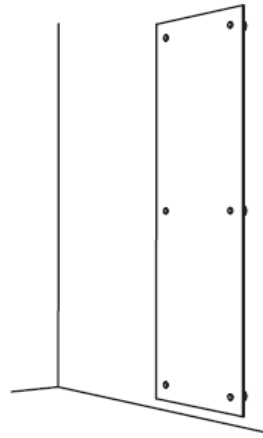
Point Support and Suspension options in elegant anodised aluminium – simple and subtle. 3form Point Support system provide versatile and elegant solutions for affixing 3form materials to a variety of substrates. A range of precision machined components work together as an integrated solution to provide both flexibility and ease of installation. 3form Suspend is a flexible yet refined hardware system engineered specifically for 3form materials that allow you to create your custom suspend solutions.



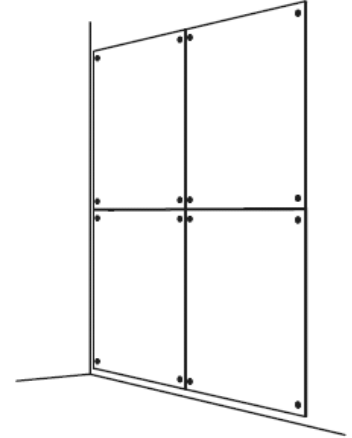
SOLUTIONS OVERVIEW

The Point Support system is designed to be used with any 3form Varia Ecoresin and Chroma. The Suspend system is designed to be used with up to 9.5mm gauge Varia Ecoresin. The Attachment Hardware Systems are for interior use only.

POINT SUPPORT

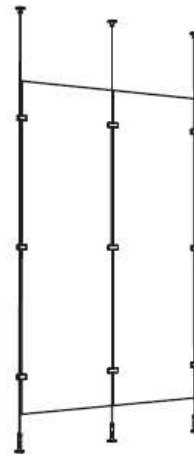


SINGLE PANEL



MULTIPLE PANELS

SUSPEND

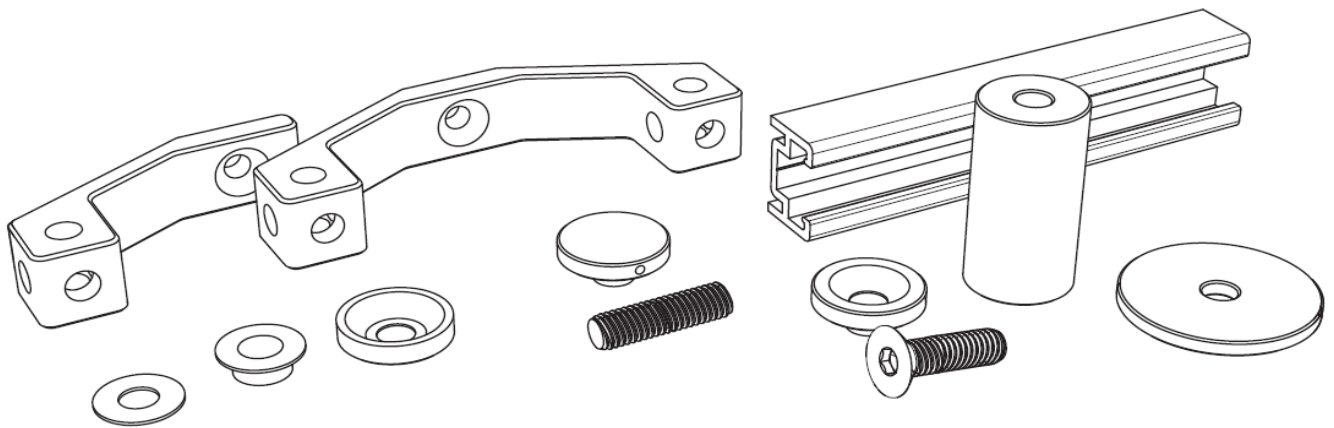


FREE HANGING PANEL



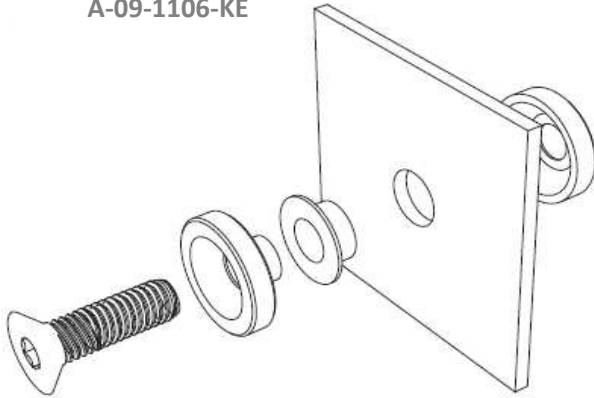
FLOOR FIXED PANEL

POINT SUPPORT

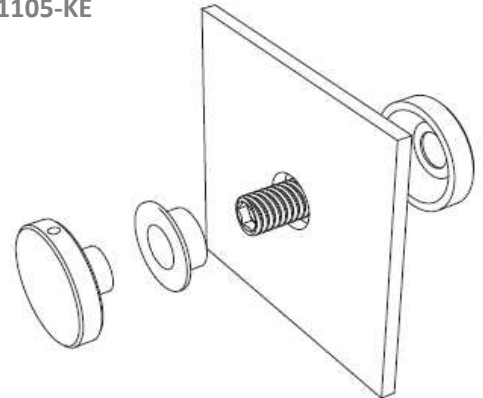


POINT SUPPORT: INSTALLATION

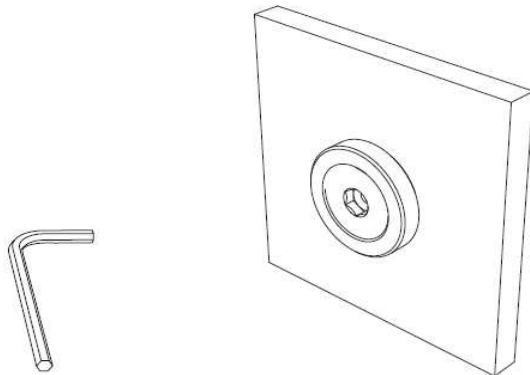
CSK SCREW FIXING KIT
A-09-1106-KE



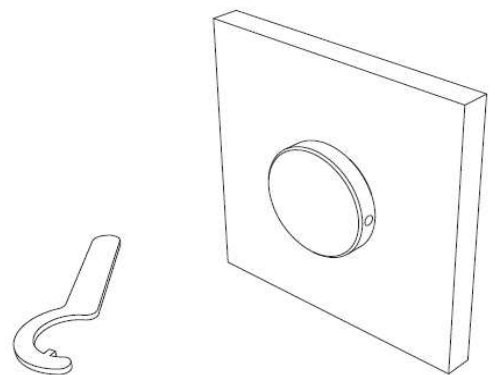
25MM DIA FLAT FIXING NUT
A-09-1105-KE



M8 ALLEN KEY

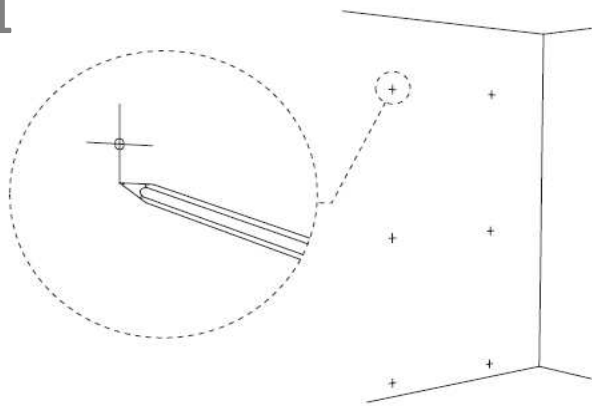


SPANNER

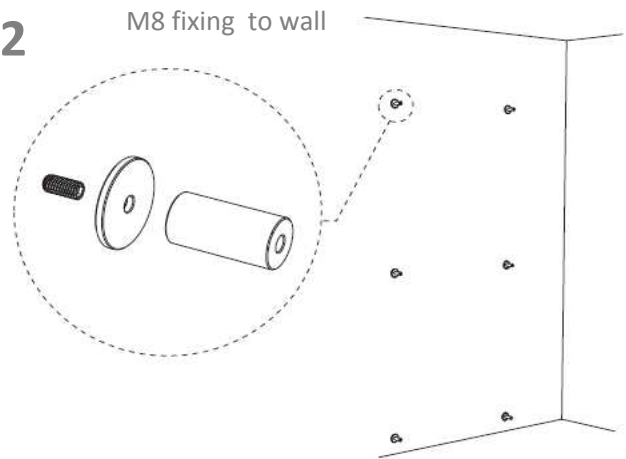


POINT SUPPORT - SINGLE PANEL: INSTALLATION

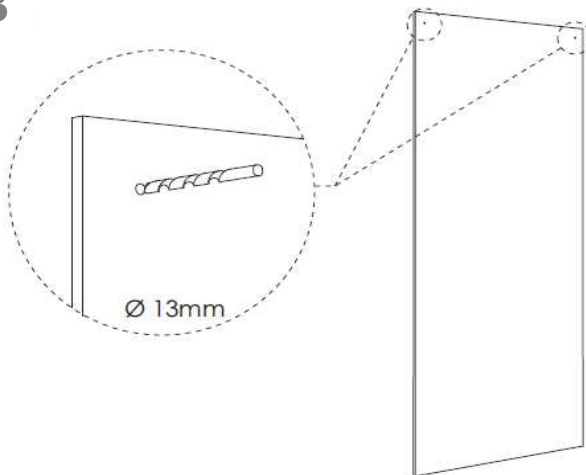
1



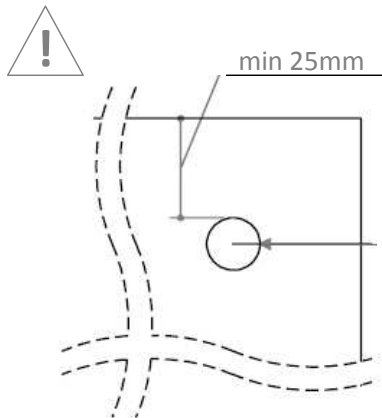
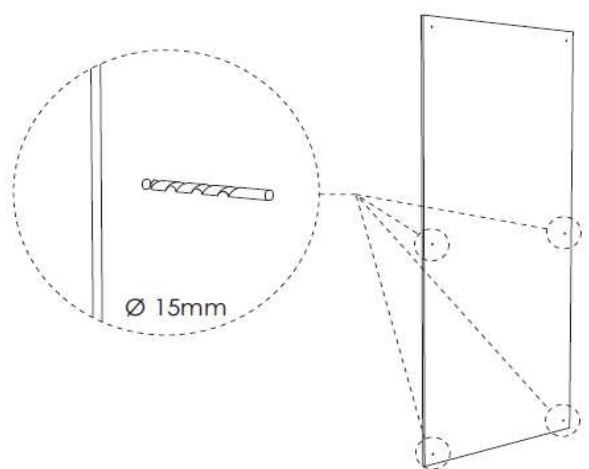
2



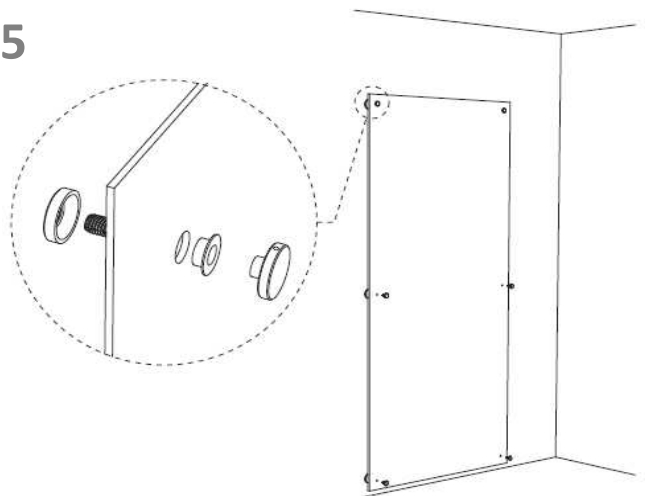
3



4

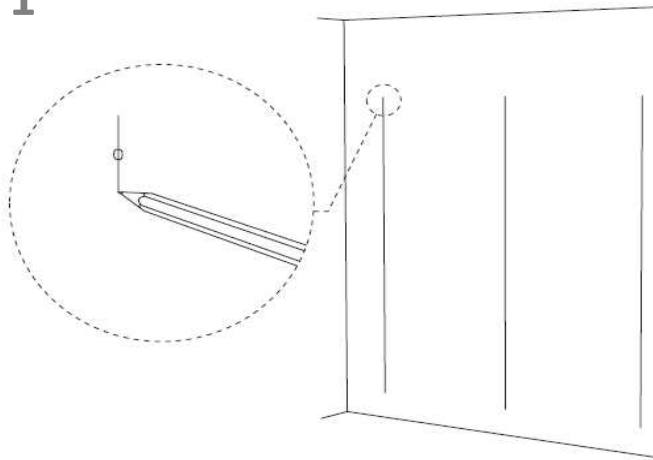


5

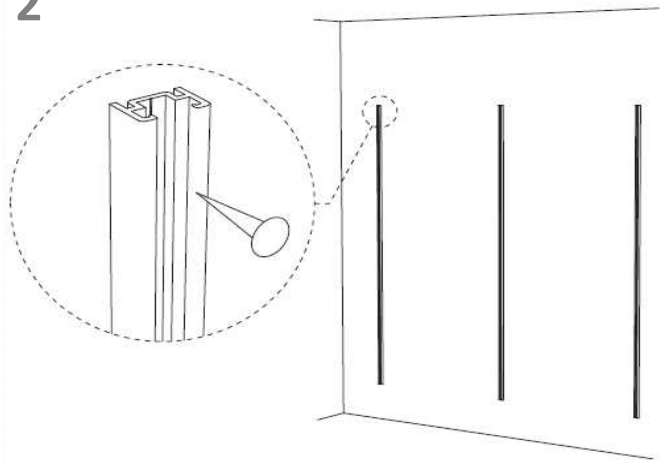


POINT SUPPORT - MULTIPLE PANELS: INSTALLATION

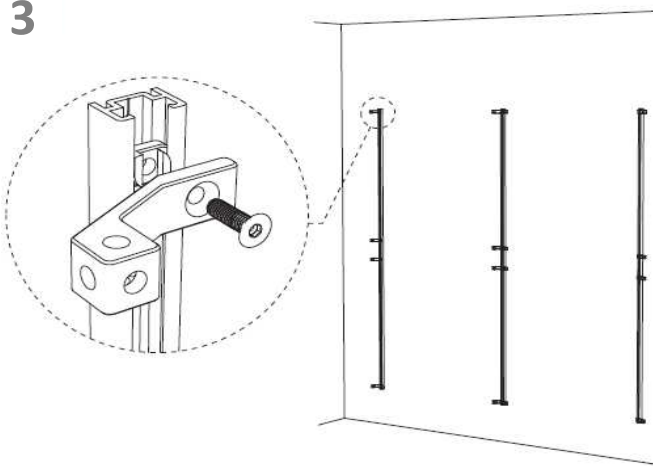
1



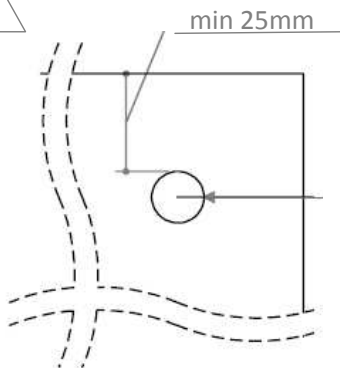
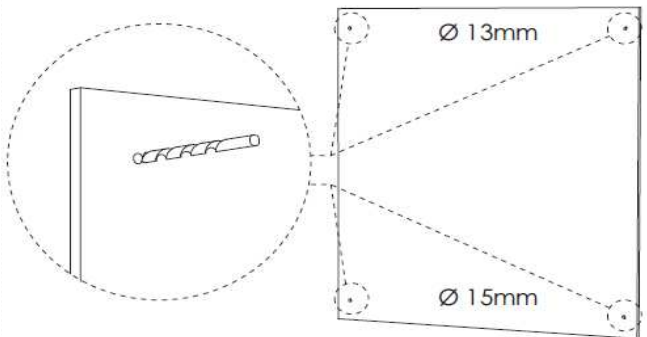
2



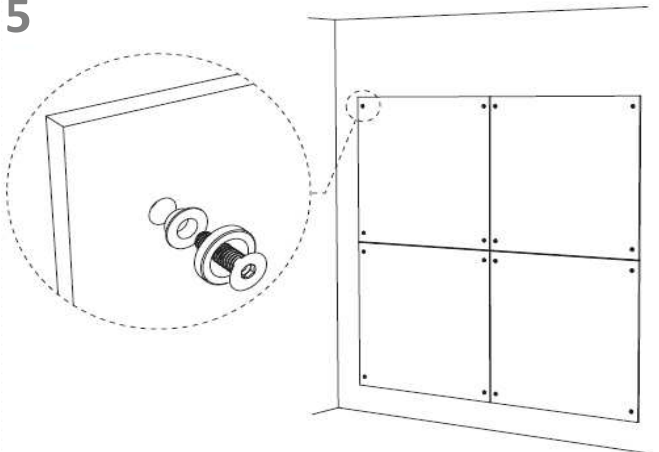
3



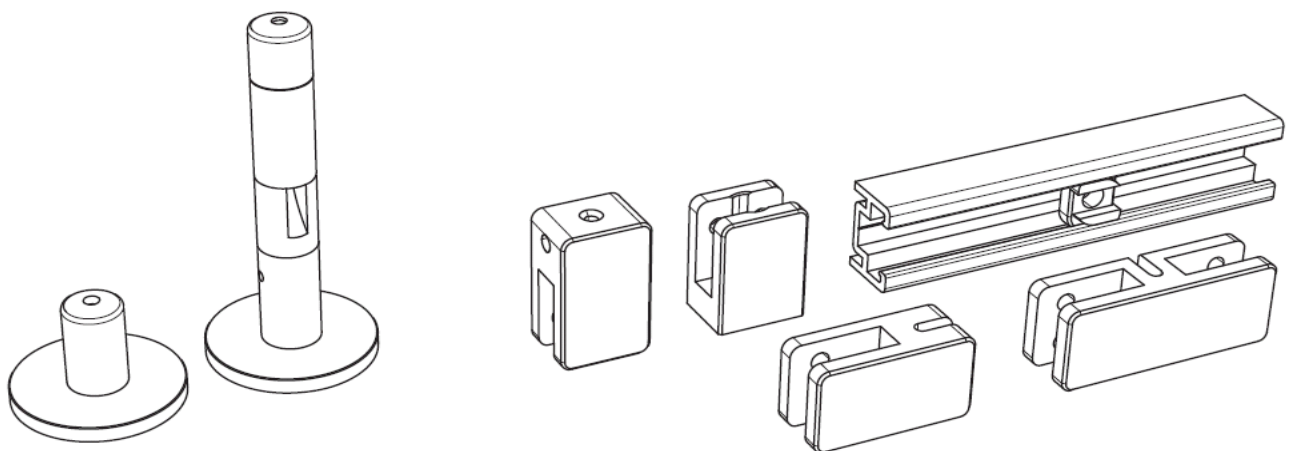
4



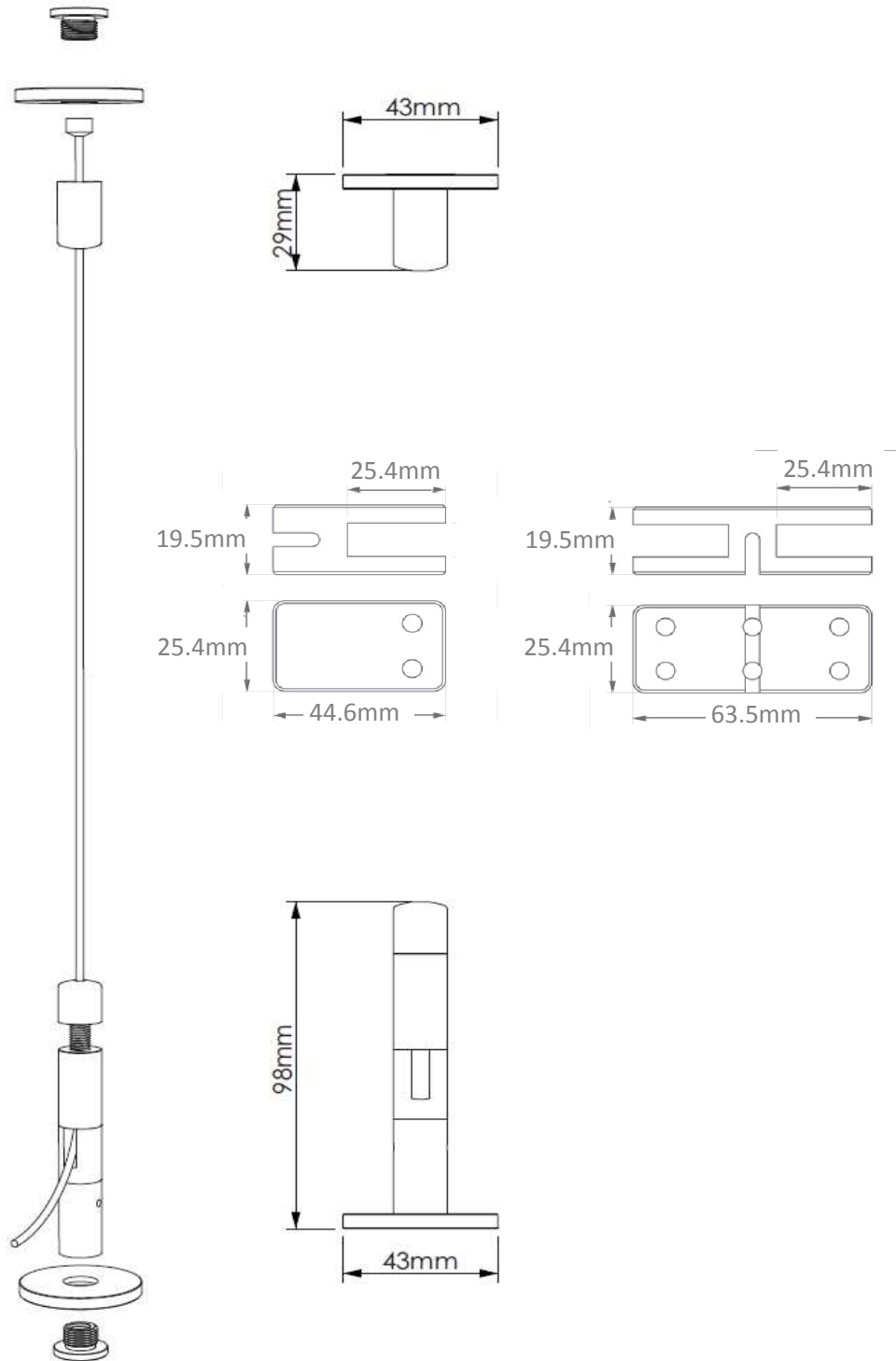
5



SUSPEND



SUSPEND - FREE HANGING PANEL : INSTALLATION



SUSPEND - FREE HANGING PANEL : INSTALLATION

1

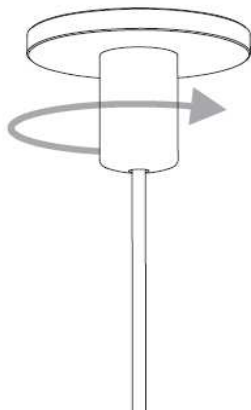
M8 fixing to ceiling



2

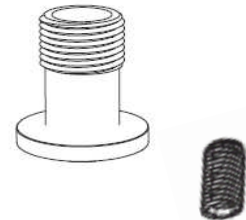


3

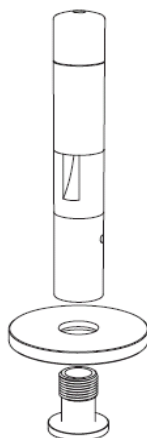


4

M8 fixing to floor

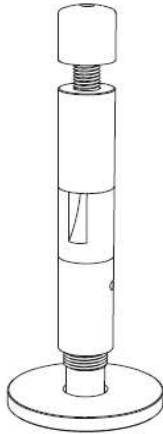


5

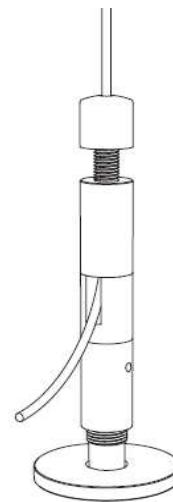


SUSPEND - FREE HANGING PANEL : INSTALLATION

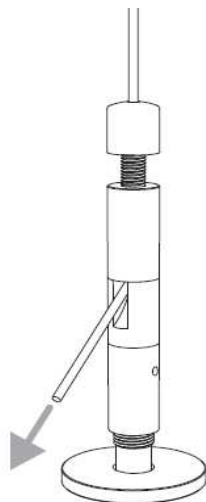
6



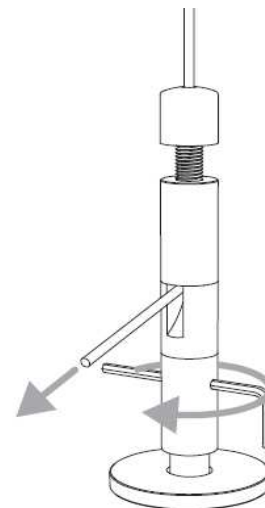
7



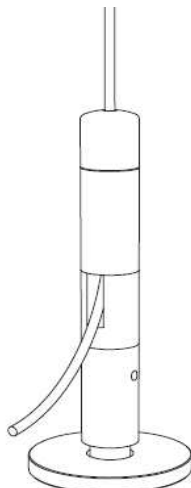
8



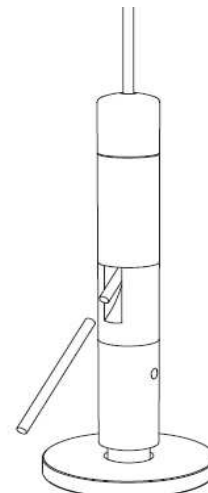
9



10



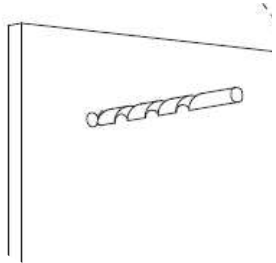
11



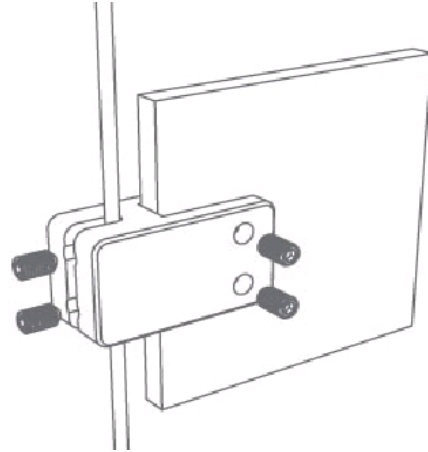
SUSPEND - FREE HANGING PANEL : INSTALLATION

12

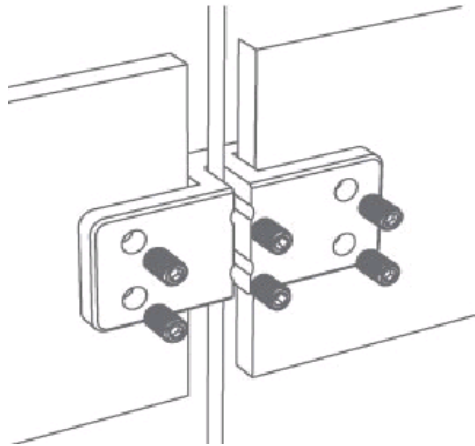
Drill holes to fix panel connectors onto panel (M6 fixing)



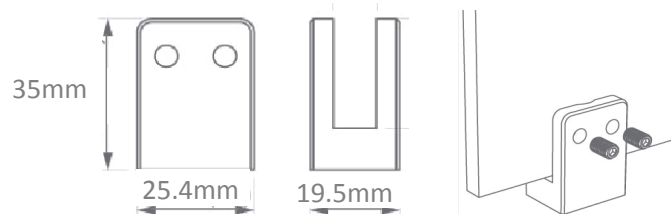
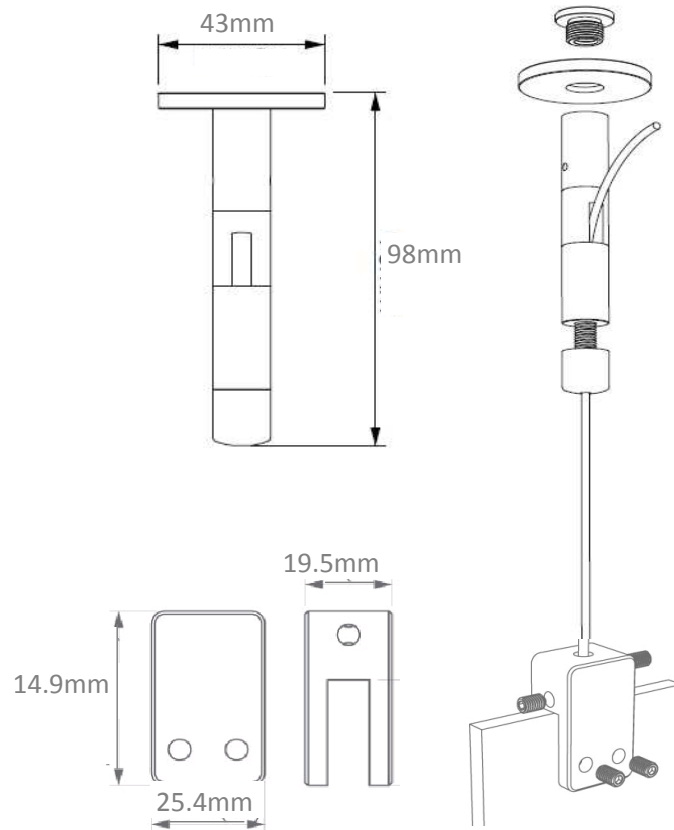
13



14



SUSPEND - FLOOR FIXED PANEL : INSTALLATION



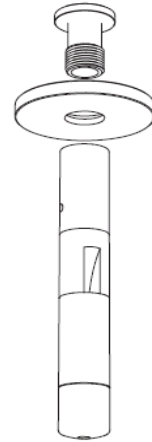
SUSPEND - FLOOR FIXED PANEL : INSTALLATION

1

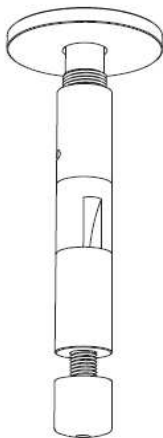
M8 fixing to ceiling



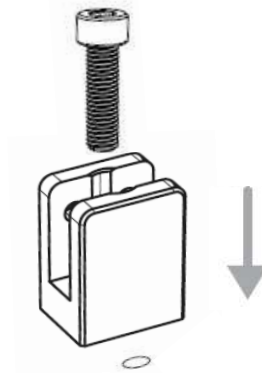
2



3

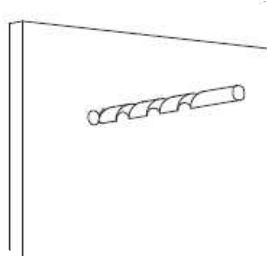


4

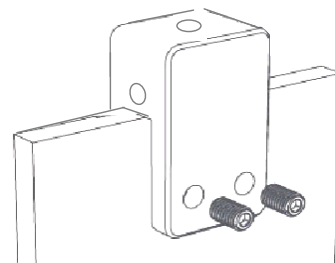


5

Drill holes to fix panel Top Fixing
and Surface Bracket onto panel
(M6 fixing)

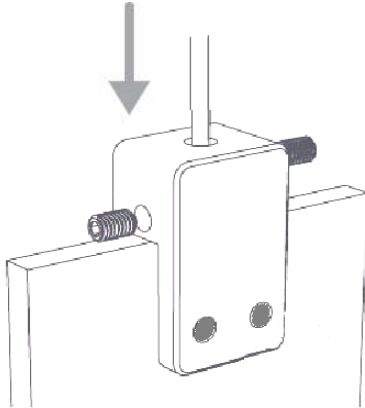


6

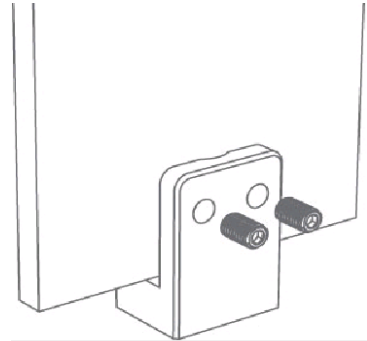


SUSPEND - FLOOR FIXED PANEL : INSTALLATION

7



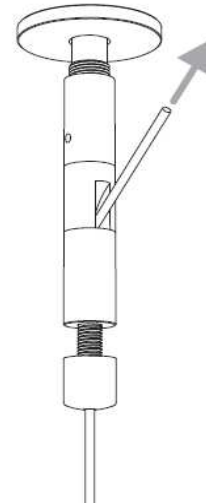
8



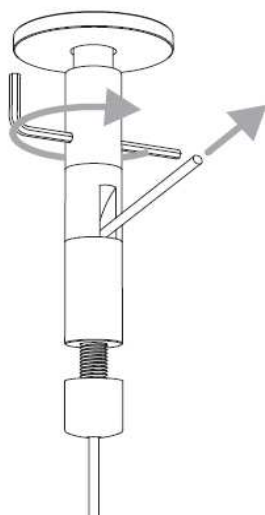
9



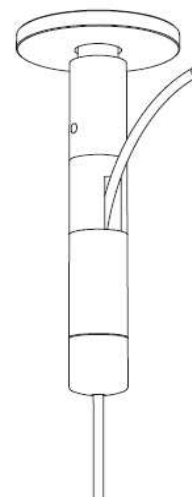
10



11



12



SUSPEND - FLOOR FIXED PANEL : INSTALLATION

13

